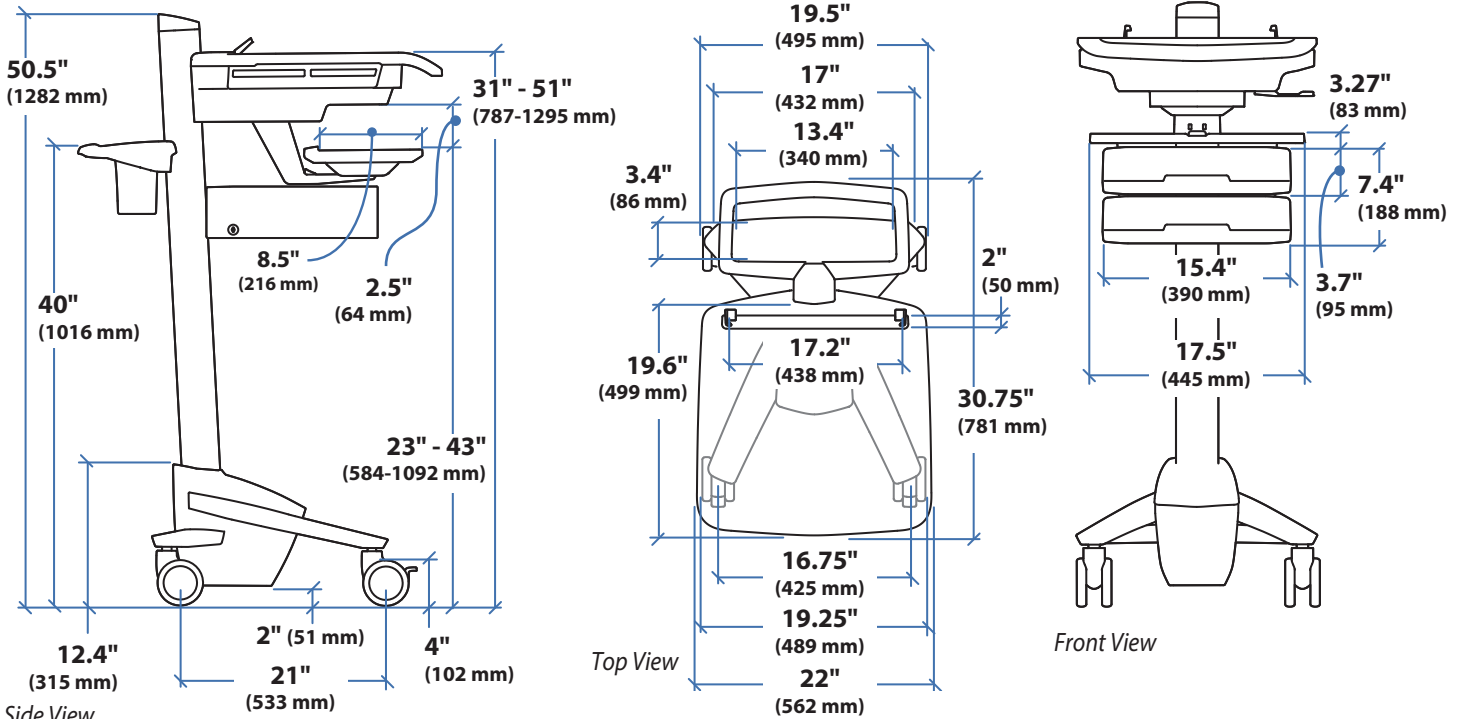
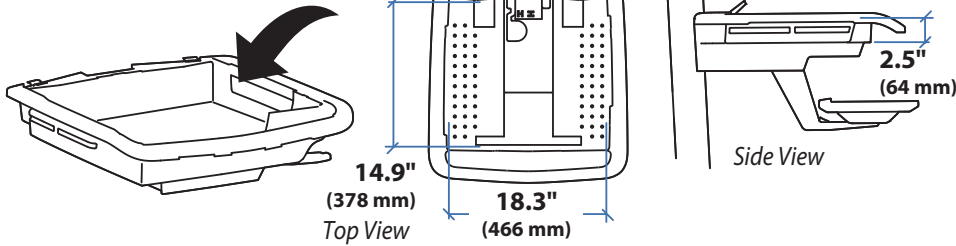


Dimensions

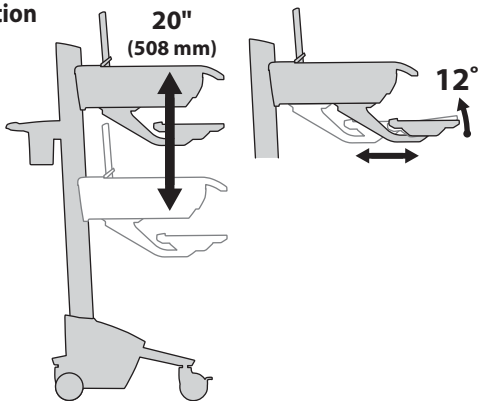


Laptop Compartment



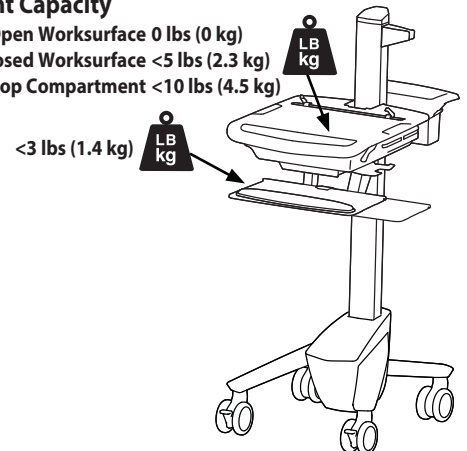
When figuring dimensions, include mounted accessories, protruding cables and port replicators or docking stations.

Range of Motion



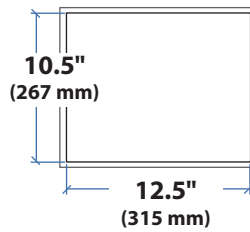
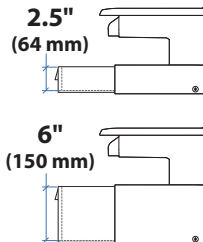
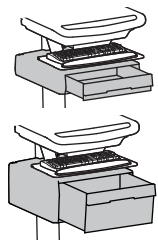
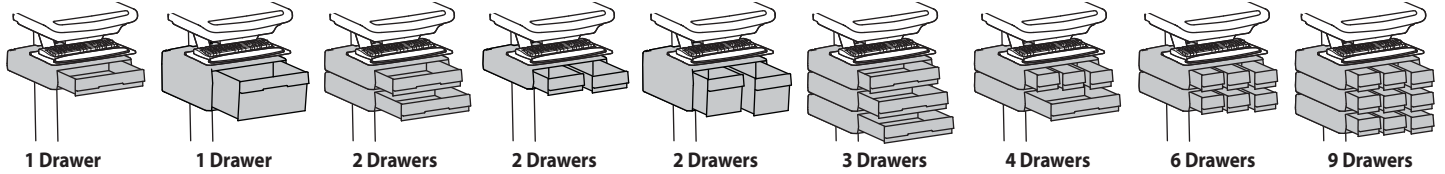
Weight Capacity

- Open Worksurface 0 lbs (0 kg)
- Closed Worksurface <5 lbs (2.3 kg)
- Laptop Compartment <10 lbs (4.5 kg)

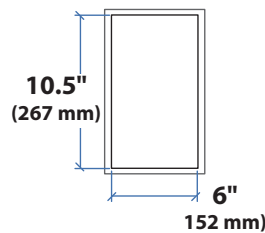
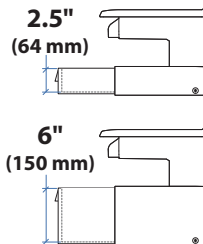
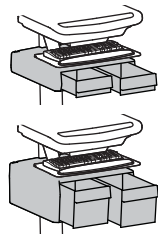
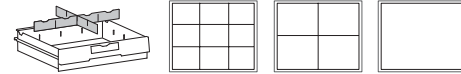


Dimensions

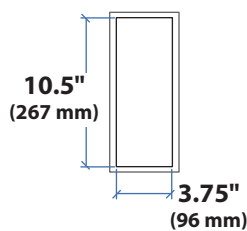
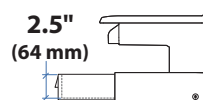
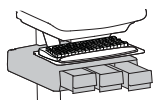
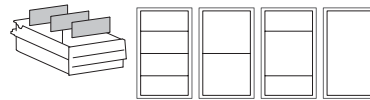
*Auto-Lock Drawer



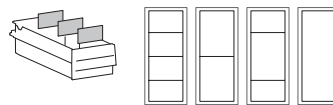
LB kg Total weight capacity per drawer.
≤ 2 lbs (1 kg)



LB kg Total weight capacity per drawer.
≤ 1 lbs (0.5 kg)



LB kg Total weight capacity per drawer.
≤ 0.25 lbs (0.1 kg)



Americas Sales and Corporate Headquarter

St. Paul, MN USA
(800) 888-8458
+1-651-681-7600
www.ergotron.com
insidesales@ergotron.com

EMEA Sales

Amersfoort, The Netherlands
+31 33 45 45 600
www.ergotron.com
info.eu@ergotron.com

APAC Sales

Sydney, Australia
www.ergotron.com
apaccustomerservice@ergotron.com

Worldwide OEM Sales

www.ergotron.com
info.oem@ergotron.com